

# Antenna, PCB

## ERF4061

### Description

The ERF4061 antenna is an internal UMTS antenna with a U.FL connector. The antenna can also be used in the frequency band of 1710 ~ 2170 MHz. The antenna can be used for applications such as, GSM, GPRS , M2M , NB-IoT and CAT-M.



### Technology

- LTE-M / CAT-M
- WiFi
- LoRa
- ISM
- Zigbee
- GSM
- GPRS
- 5G/4G
- Bluetooth

### Features

Electrical Properties	Description		
Frequency marker	Frequency band MHz	Return loss dB	V.S.W.R.
1	800	-1.4	< 12.4
2	900	-5.4	< 3.3
3	915	-8.8	< 2.1
4	1.800	-6.0	< 3.0
5	1.900	-5.5	< 3.3
6	2.100	-2.5	< 7.0
7	2.400	-6.3	< 2.9
8	2.600	-2.3	< 7.6

# Antenna, PCB

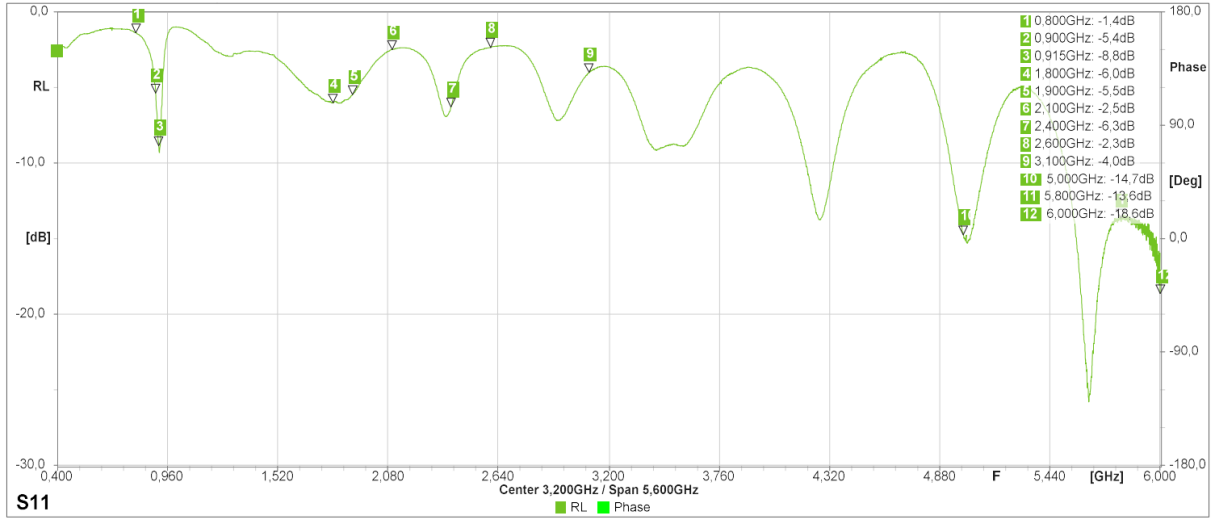
## ERF4061

<b>9</b>	3.100	-4.0	< 4.4
<b>10</b>	5.000	-14.7	< 1.5
<b>11</b>	5.800	-13.6	< 1.5
<b>12</b>	6.000	-18.6	< 1.3
<b>Nominal Impedance</b>	50 Ω		
<b>Polarization</b>	Linear		

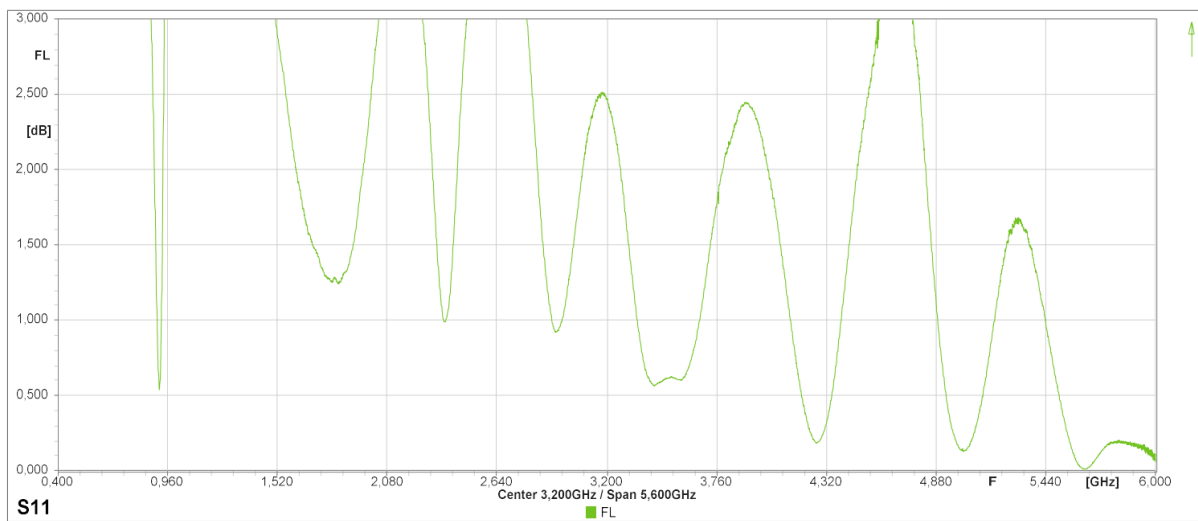
Mechanical Properties	Description
<b>Antenna</b>	Internal PCB Antenna
<b>Connector</b>	U.FL
<b>Dimensions</b>	37*7*1 mm ± 0.1
<b>Cable type</b>	RF1.13 / RF1.37
<b>Cable Length</b>	10 cm ± 0.5
<b>Operating Temperature</b>	-40°C~+85°C
<b>Storage Temperature</b>	-40°C~+85°C

## Antenna Properties

### Return Loss



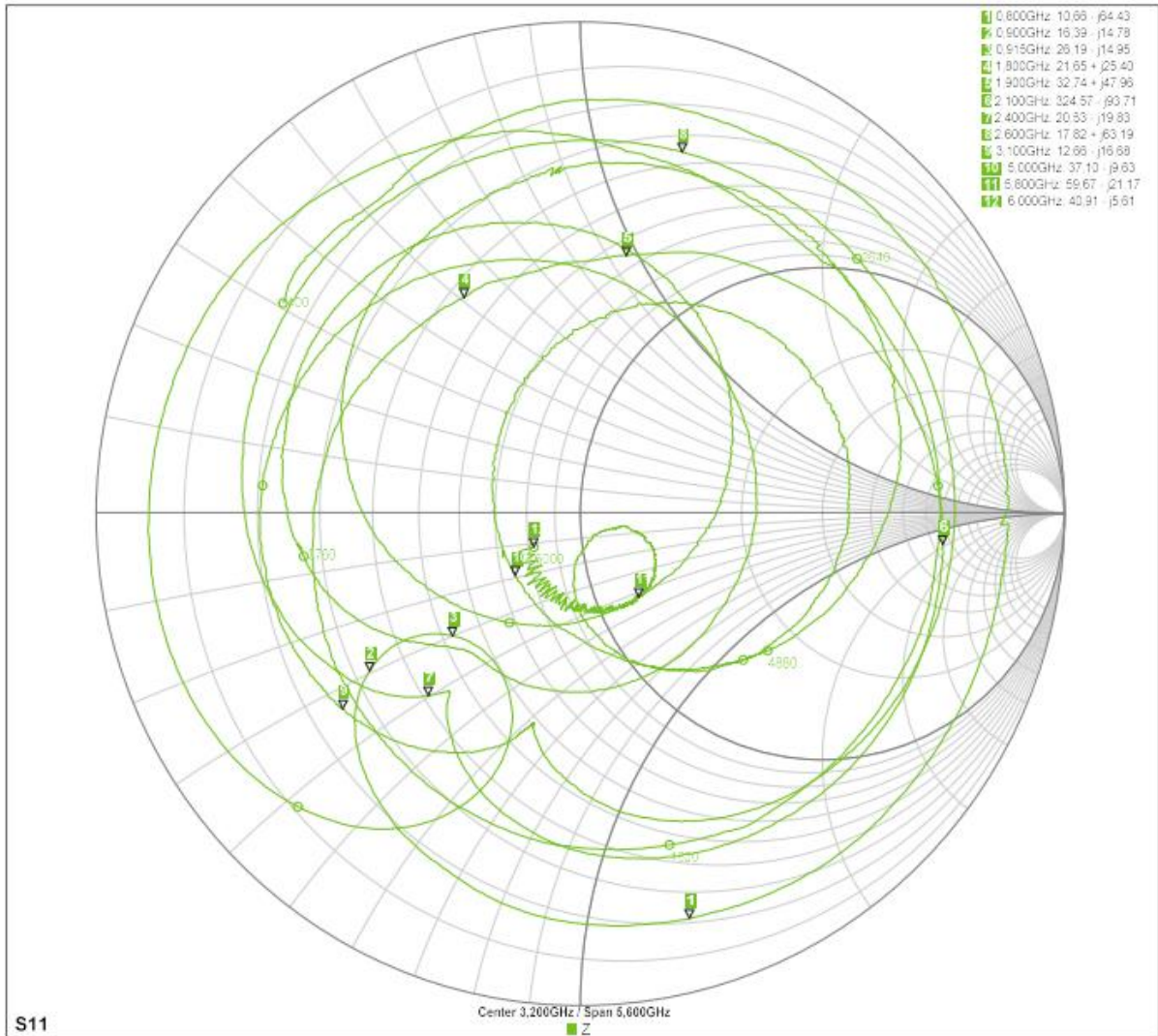
### Forward Loss



# Antenna, PCB

## ERF4061

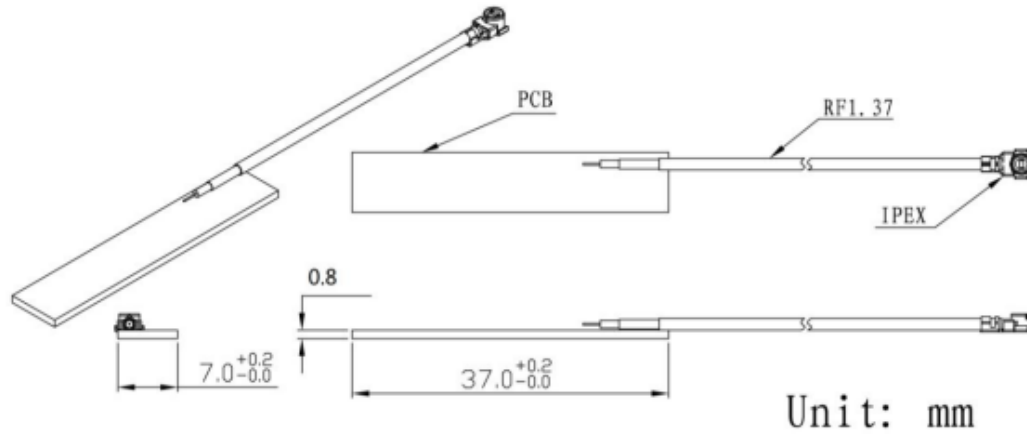
Impedance



# Antenna, PCB

## ERF4061

### Dimensions



### Connector

The ERF4061 uses a U.FL connector.

### Ordering information

Ordering can be done via [www.summit-electronics.com](http://www.summit-electronics.com) or via [info@summit-electronics.com](mailto:info@summit-electronics.com). Please contact us for more information. Customisation of the product is available on request.

### Technical support

For all product questions please contact us via [info@summit-electronics.com](mailto:info@summit-electronics.com)

### Document revision

Rev	Date	changes
2023v1	06-04-2023	First issue of document